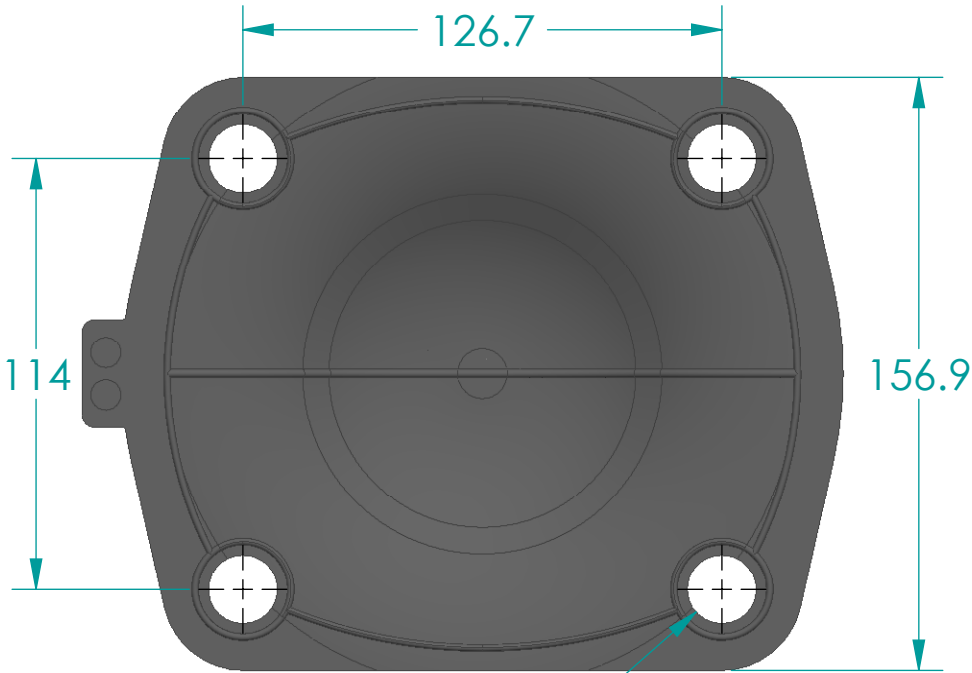
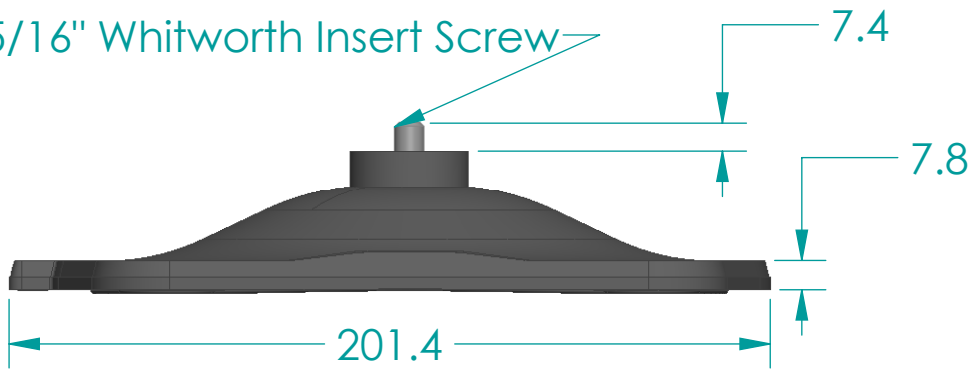


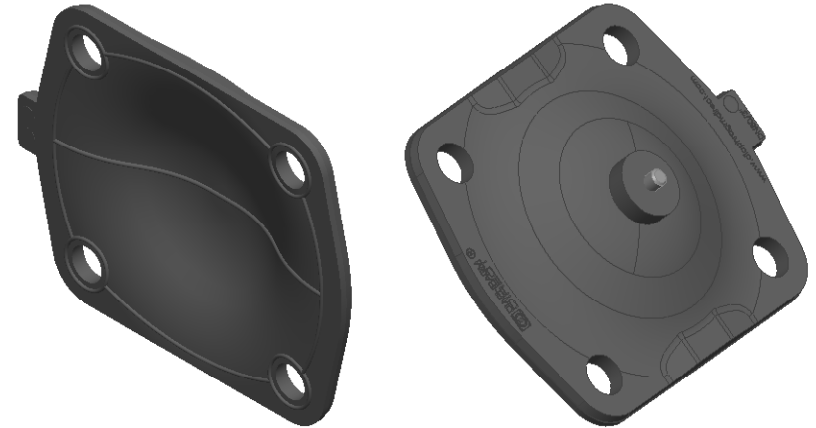
5/16" Whitworth Insert Screw




Ø 18.20
4 Holes

Revision History

Rev	Description	Date	Approved
D	OEM PART changed to DA080B1	27/02/22	JB



Replacement Diaphragm for:-
 OEM PART = DA080B1
 USED ON 3" (DN80) Diaphragm Valve

	Name	Date	 DIAPHRAGM[®] DIRECT			
Drawn	M.Mc Keon	27/02/22				
Checked						
Material - BUTYL (IIR)			TITLE DD30-SIIR			
Complies with CFR 177.2600 and Conforms to USP Class VI Biological Reactivity Tests Section #87 and #88			<table border="1"> <tr> <td>Size A</td> <td>FOOT PRINT DIMENSIONS</td> <td>Rev B</td> </tr> </table>	Size A	FOOT PRINT DIMENSIONS	Rev B
Size A	FOOT PRINT DIMENSIONS	Rev B				
File- DD30-SIIR-B			SCALE: 1:2			
			Sheet 1 of 1			

Disclaimer - Diaphragm Direct® does not manufacture, represent, nor sell OEM valves or diaphragms manufactured by any other company. Diaphragm Direct® brand diaphragms are not sponsored by any other manufacturers. Any name, model, part number, brand, image, material or referral is for descriptive purposes only. Diaphragm Direct® brand replacement diaphragms are guaranteed to fit OEM equipment and meet or exceed OEM specifications. Diaphragm Direct® brand replacement diaphragms are covered by the standard Diaphragm Direct® limited product warranty.